

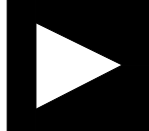
A

B

C

D

ADSP-21160 EZ-KIT Lite

		ANALOG DEVICES	20 Cotton Road Nashua, NH 03063 PH: 1-800-ANALOGD
Title		ADSP-21160 EZ-KIT LITE TITLE	
Size C	Board No.	A0164-2001	Rev 2.0
Date	8-24-2006_9:22	Sheet	1 of 8

A

B

C

D

1

1

2

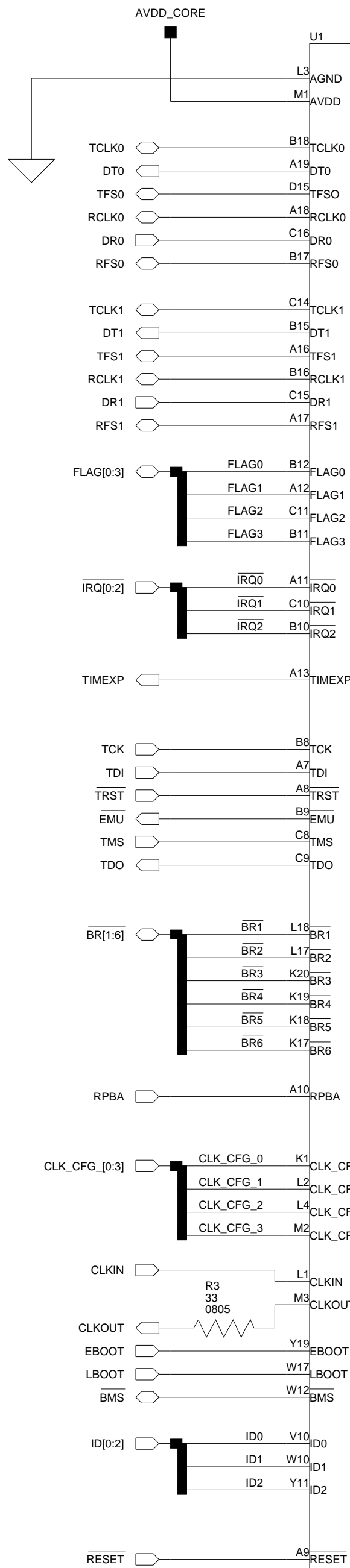
2

3

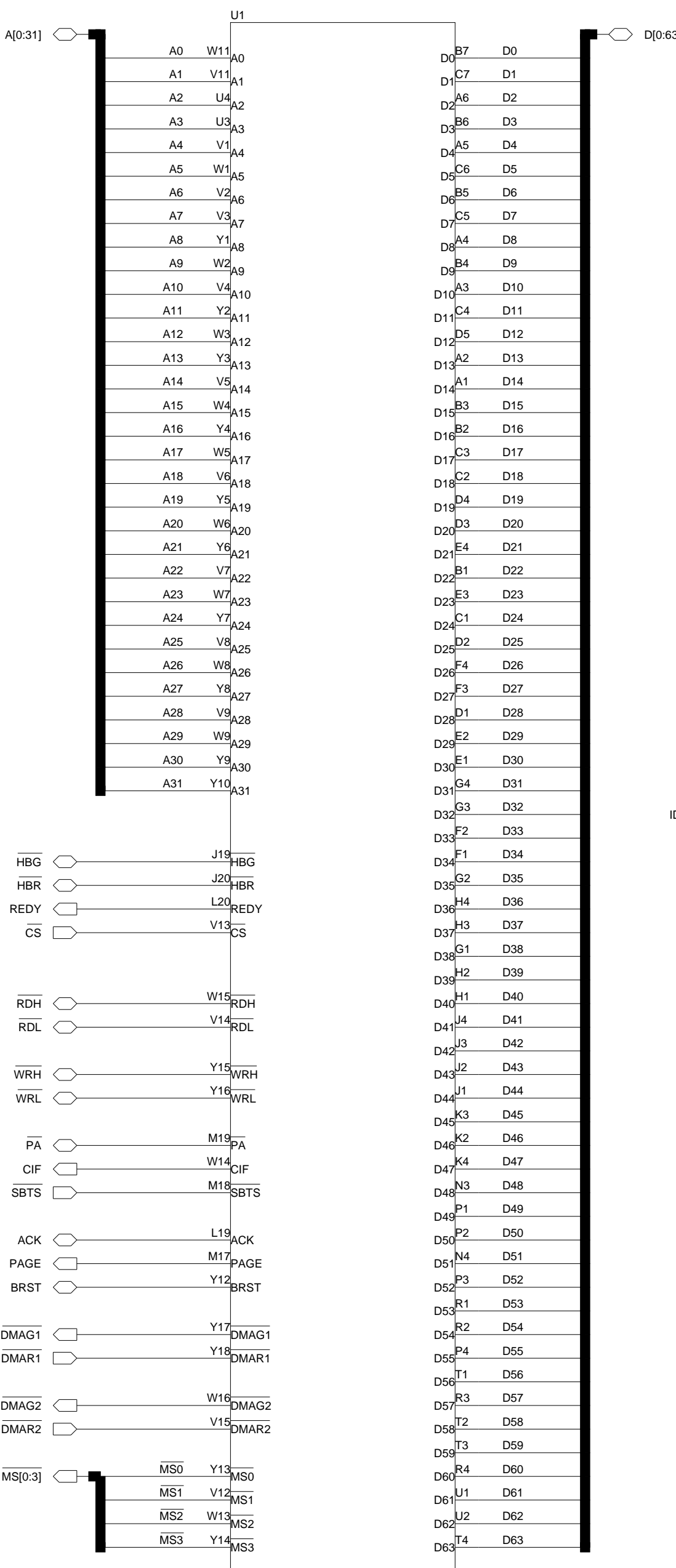
3

4

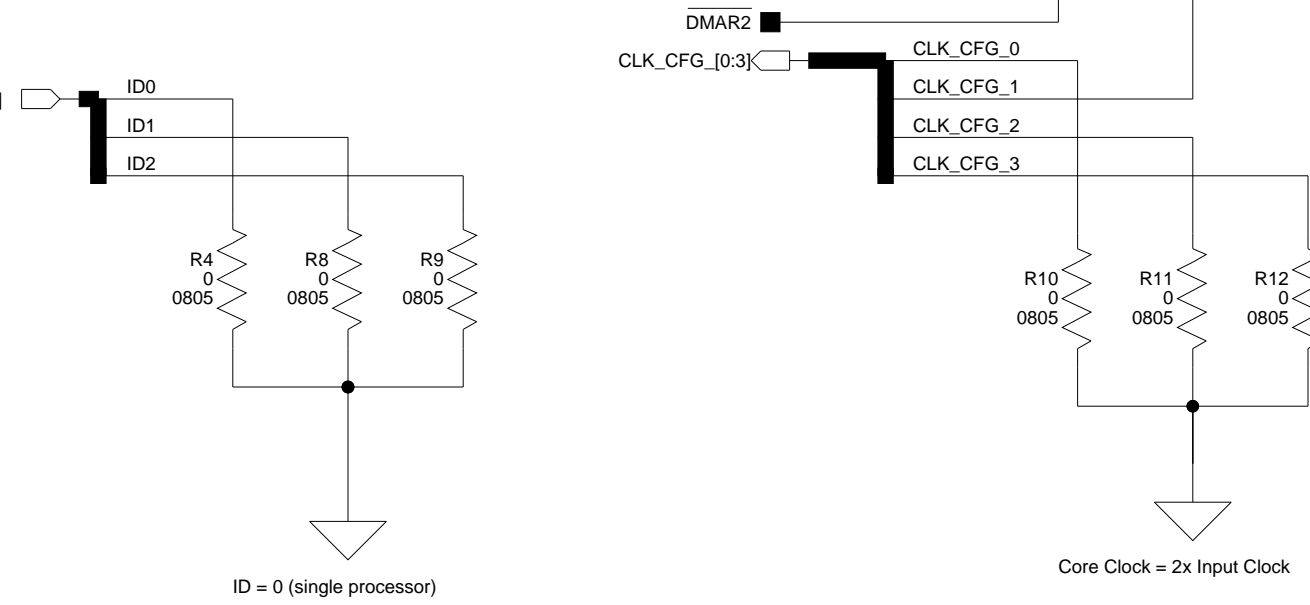
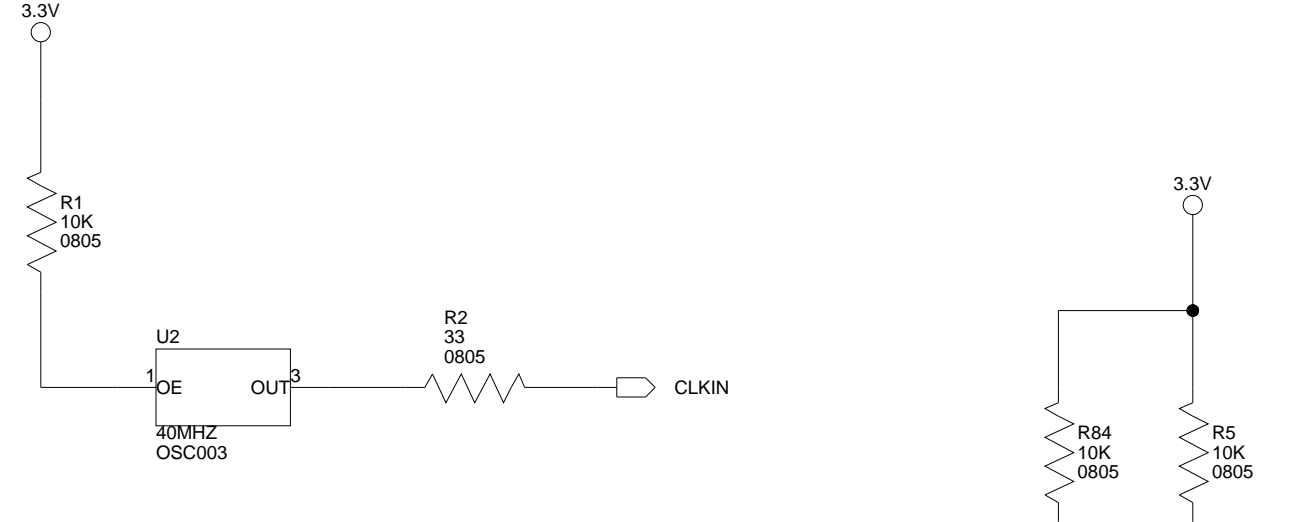
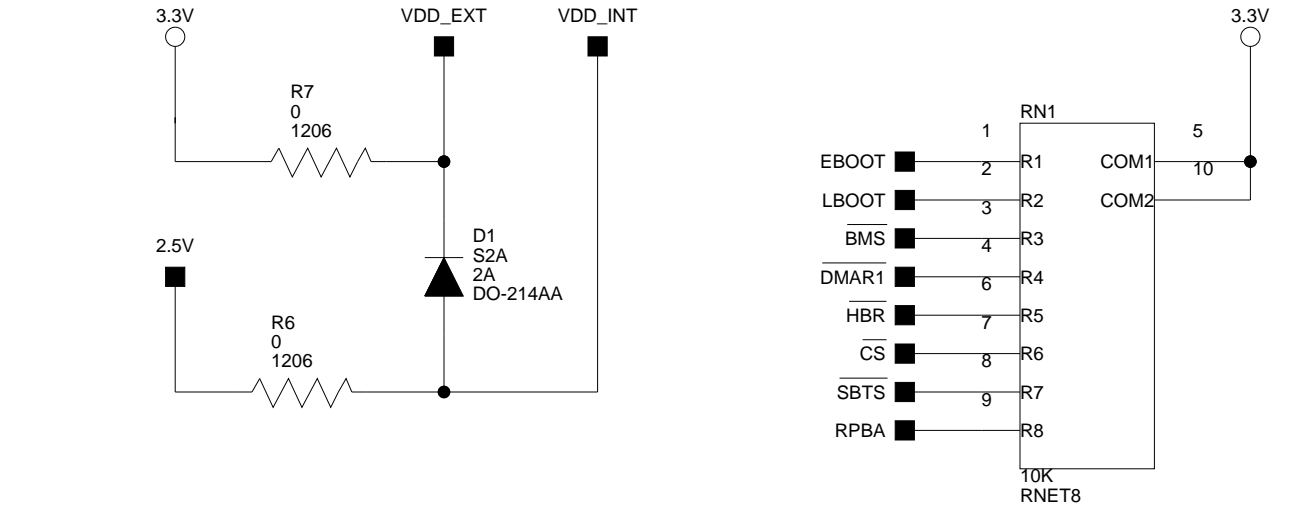
4



ADSP-21160MKBZ-80
PBGA400

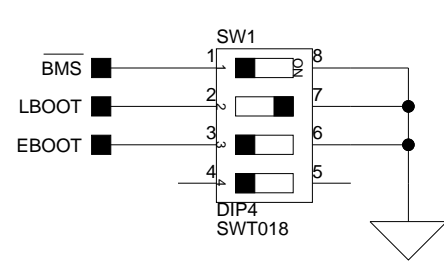


ADSP-21160MKBZ-80
PBGA400



ID = 0 (single processor)

Core Clock = 2x Input Clock



SW1 SETTINGS: BOOT MODE SELECTION

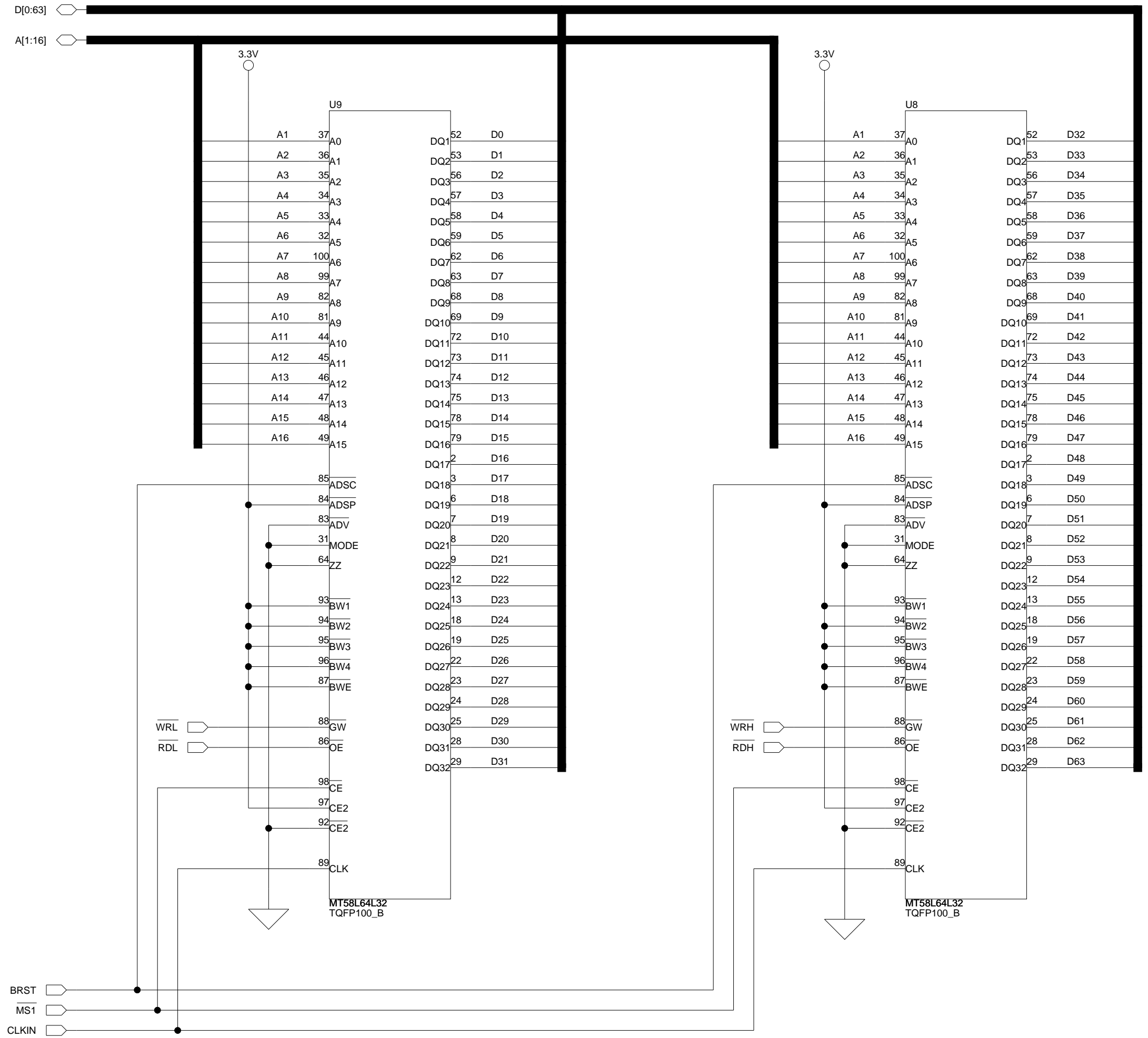
EBOOT	LBOOT	-BMS	BOOT MODE
OFF	ON	OFF (OUTPUT)	FLASH (BMS OUTPUT TO FLASH CE)
ON	ON	OFF (INPUT)	HOST PROCESSOR
ON	OFF	OFF (INPUT)	LINK PORT
ON	ON	ON (INPUT)	NO BOOT
ON	OFF	ON (INPUT)	RESERVED
OFF	OFF	X (INPUT)	RESERVED

* = DEFAULT

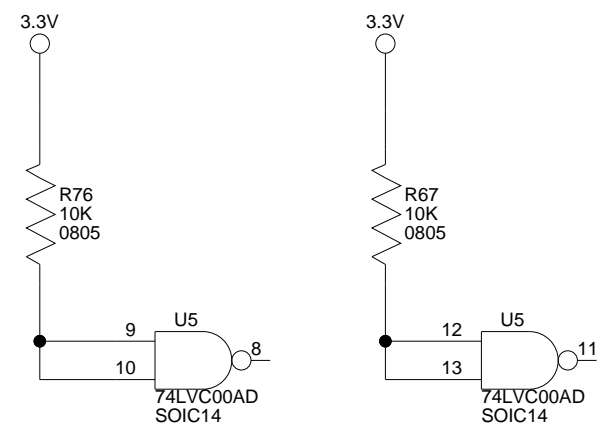
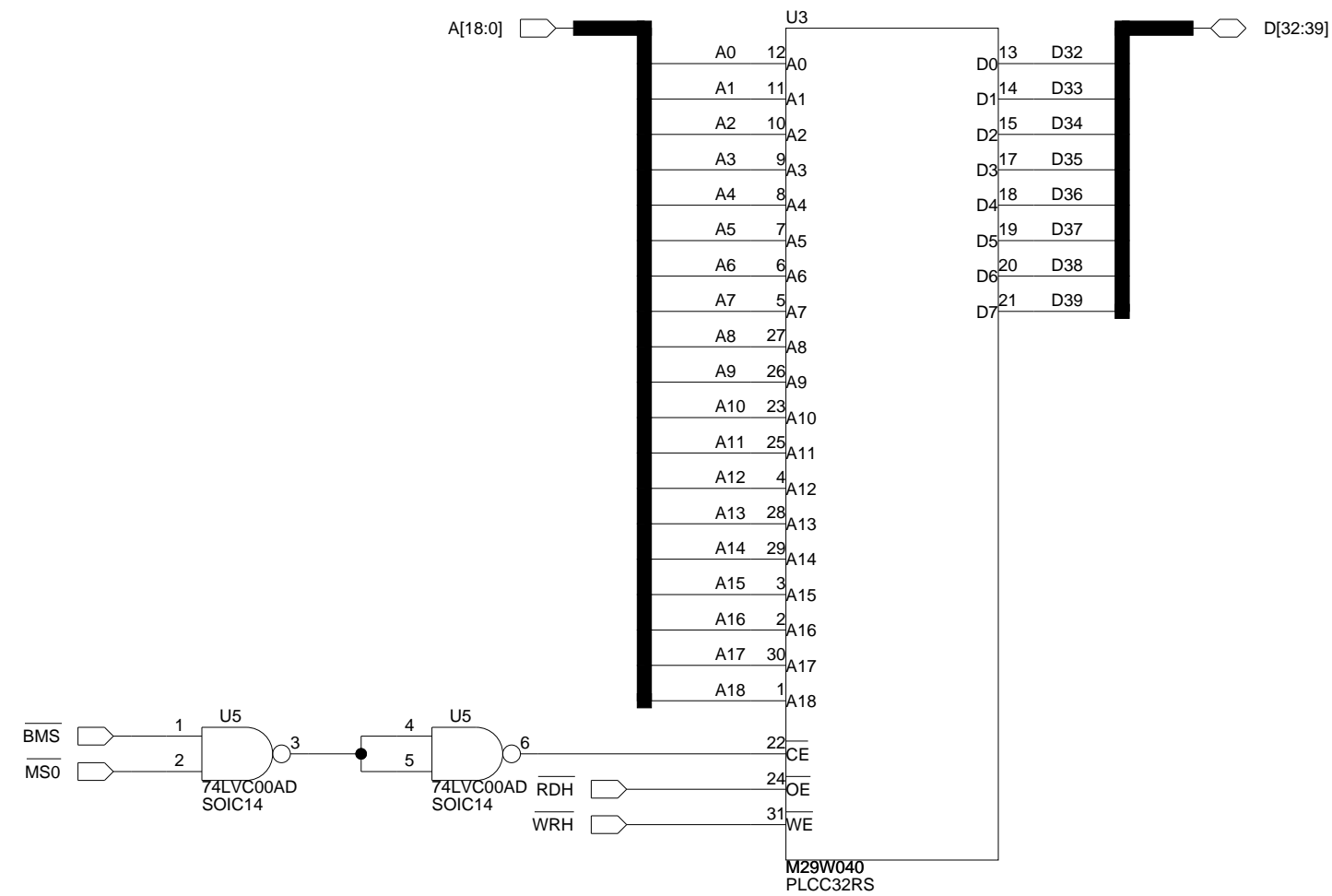
20 Cotton Road
Nashua, NH 03063
PH: 1-800-ANALOGD

Title ADSP-21160 EZ-KIT LITE DSP			
Size C	Board No. A0164-2001	Rev 2.0	
Date 8-16-2006_15:00	Sheet 2 of 8		

SBSRAM 4Mb (64K x 32-BIT x 2-CHIPS)



FLASH 512K X 8-BIT



		20 Cotton Road Nashua, NH 03063 PH: 1-800-ANALOGD	
		Title ADSP-21160 EZ-KIT LITE MEMORY	
Size C	Board No. A0164-2001	Rev 2.0	
Date 8-24-2006_9:42	Sheet 3 of 8		

SJ2 SHORTING JUMPER
DEFAULT=4&6

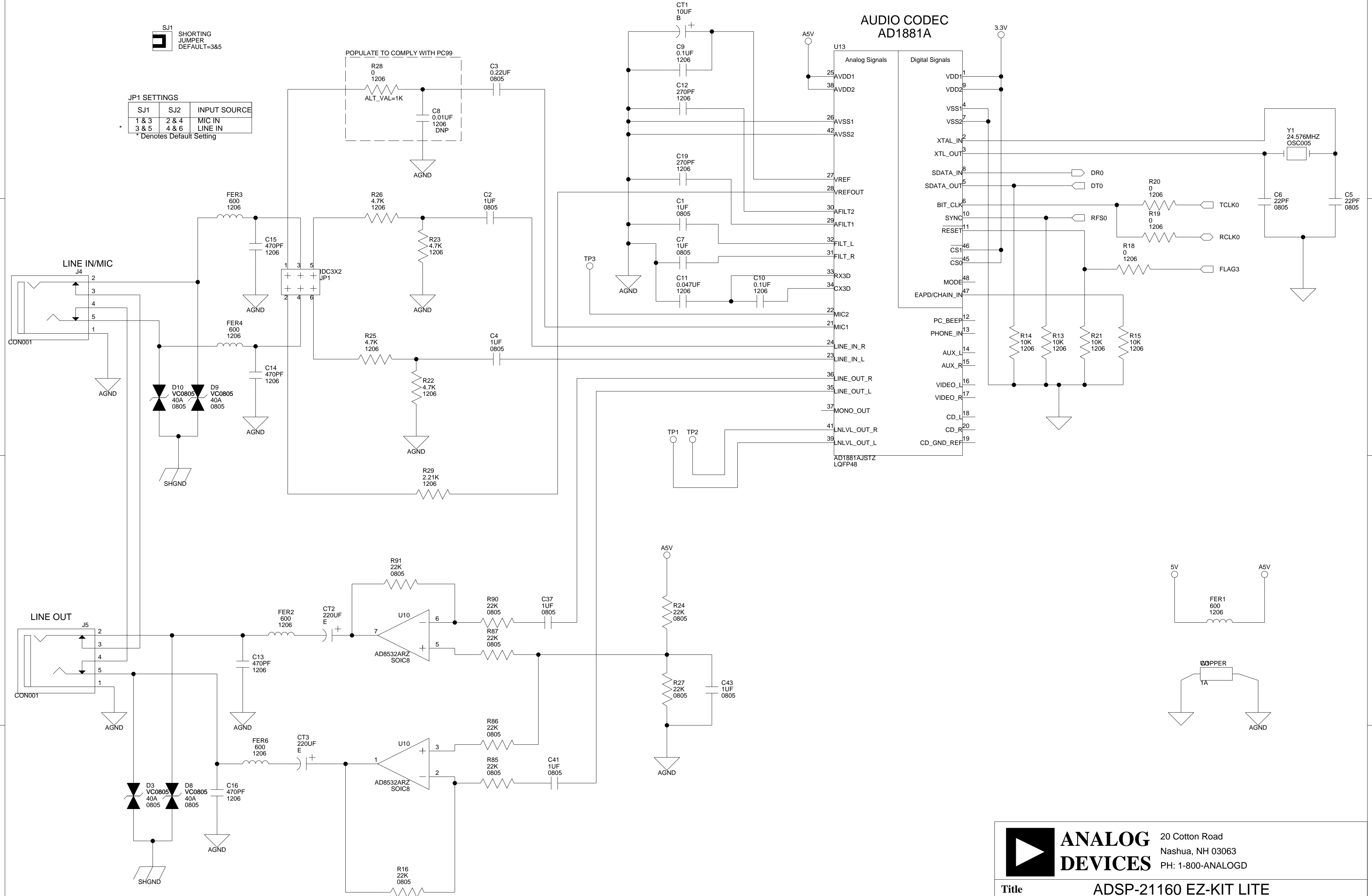
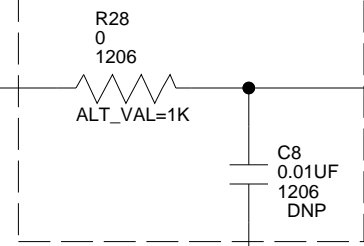
SJ1 SHORTING JUMPER
DEFAULT=3&5

JP1 SETTINGS

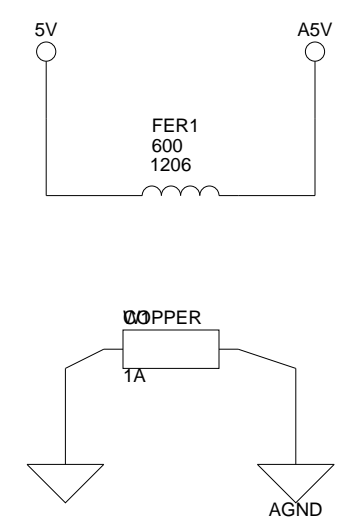
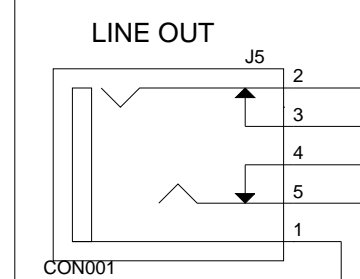
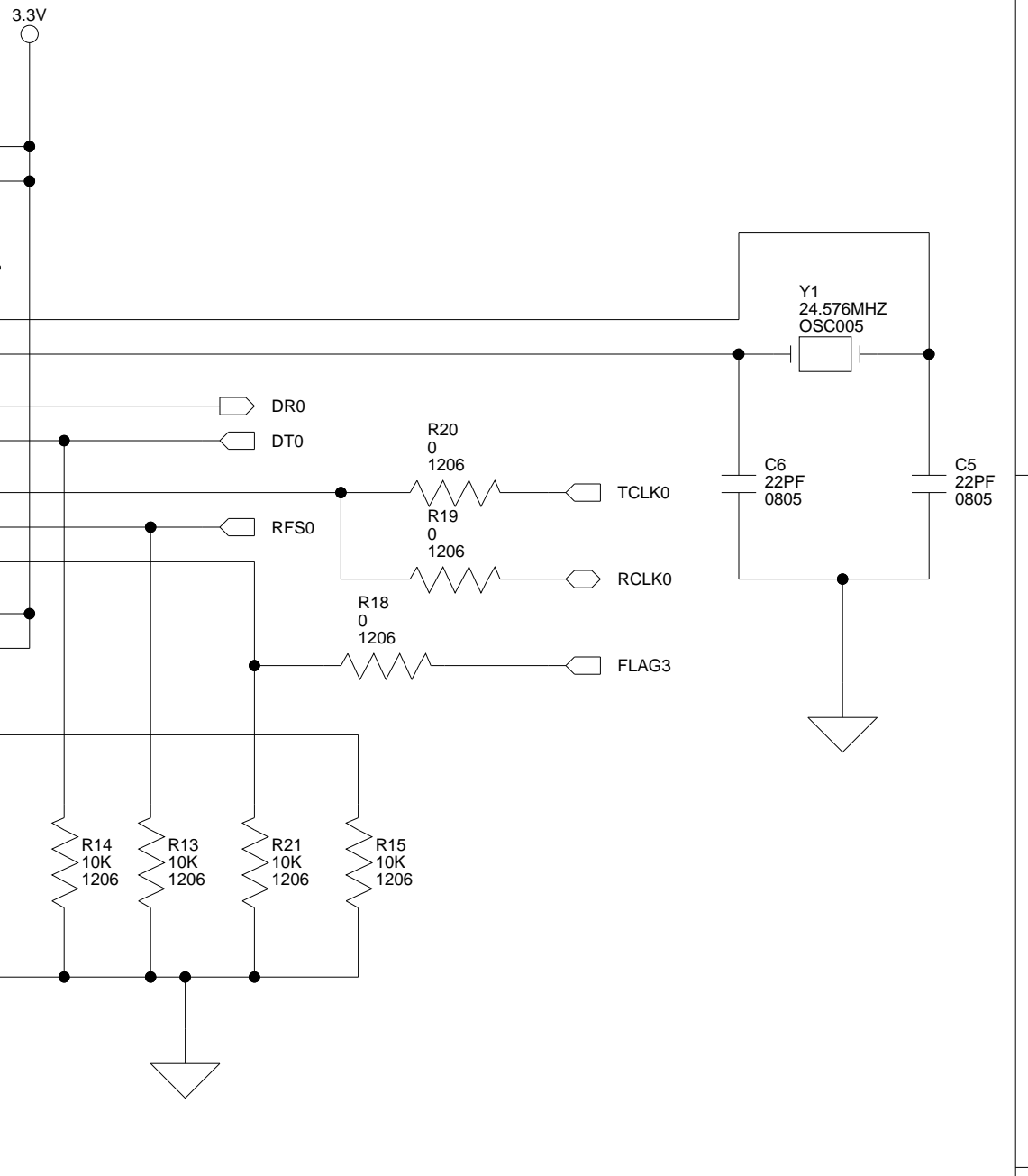
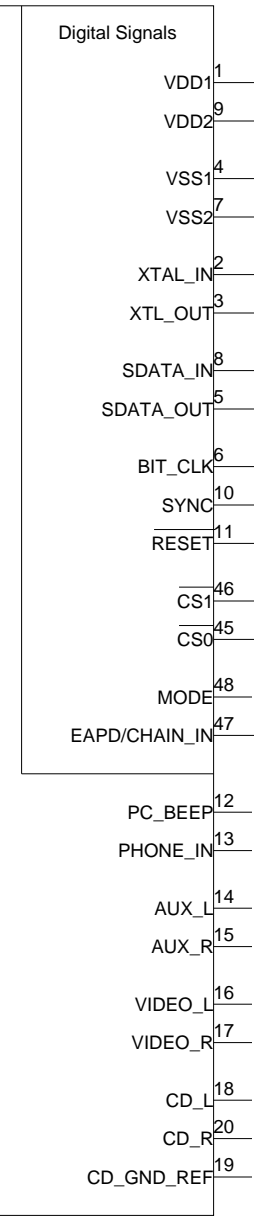
SJ1	SJ2	INPUT SOURCE
1 & 3	2 & 4	MIC IN
3 & 5	4 & 6	LINE IN

* Denotes Default Setting

POPULATE TO COMPLY WITH PC99



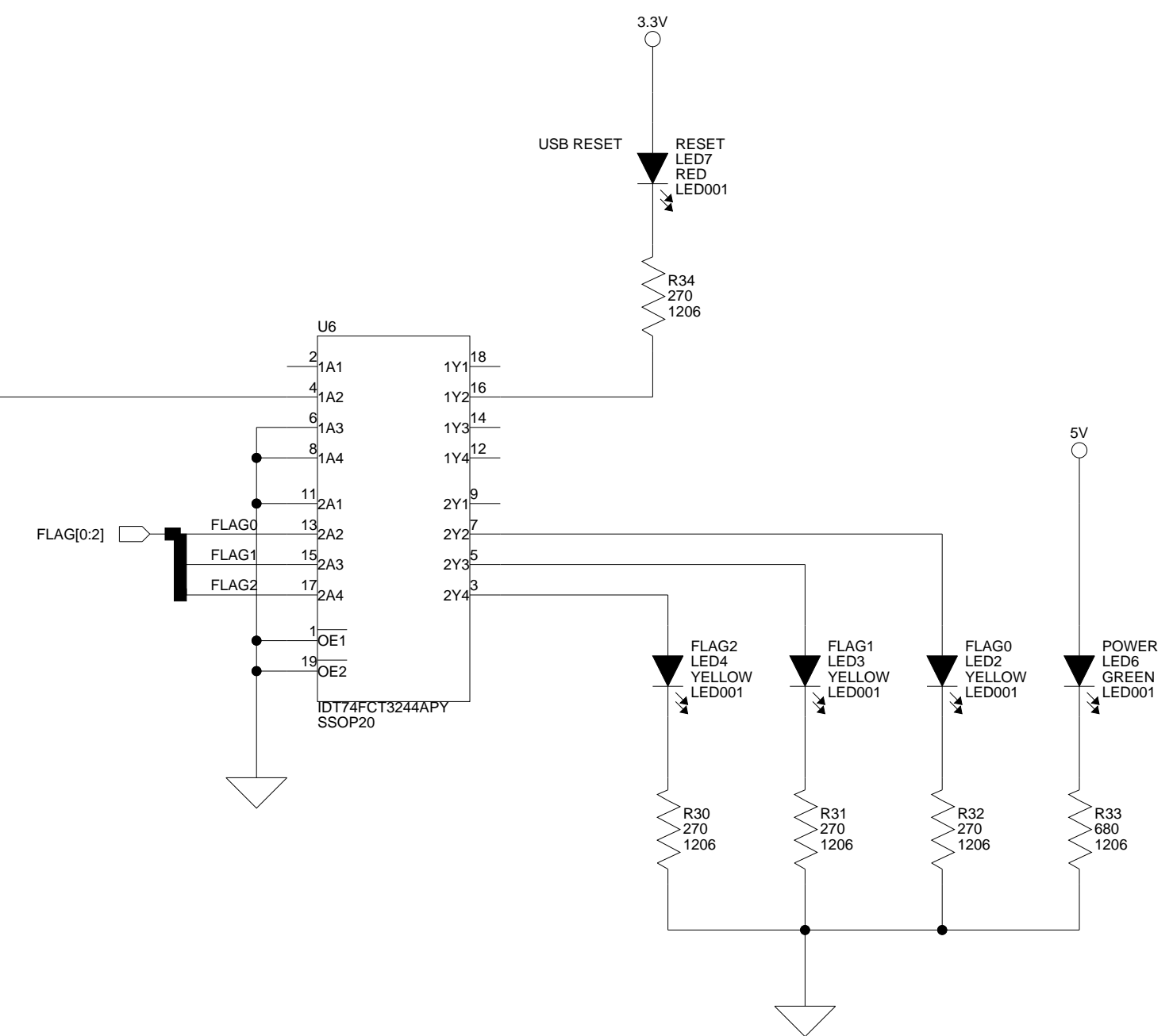
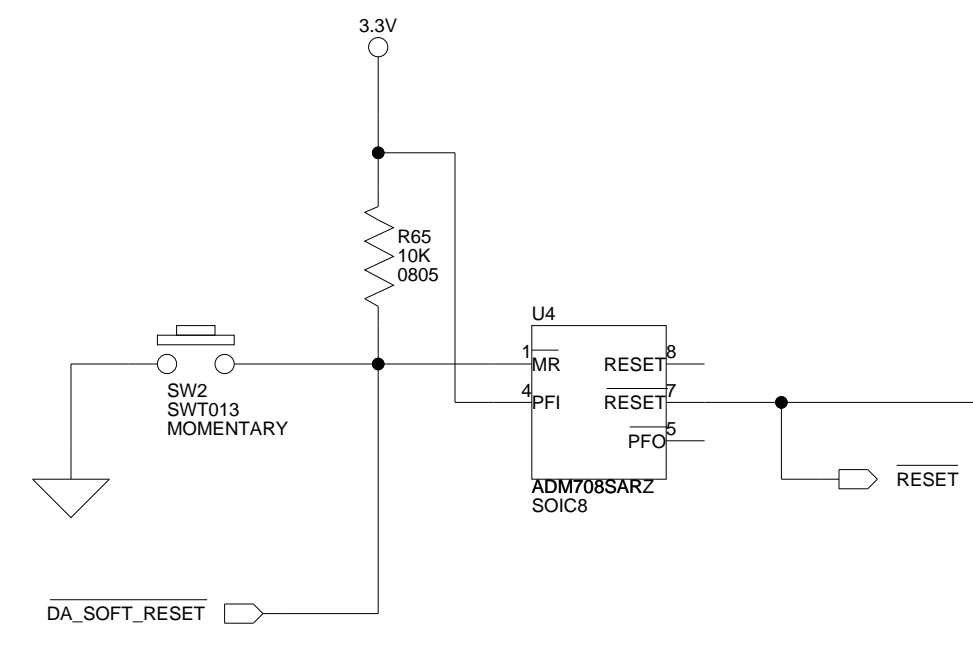
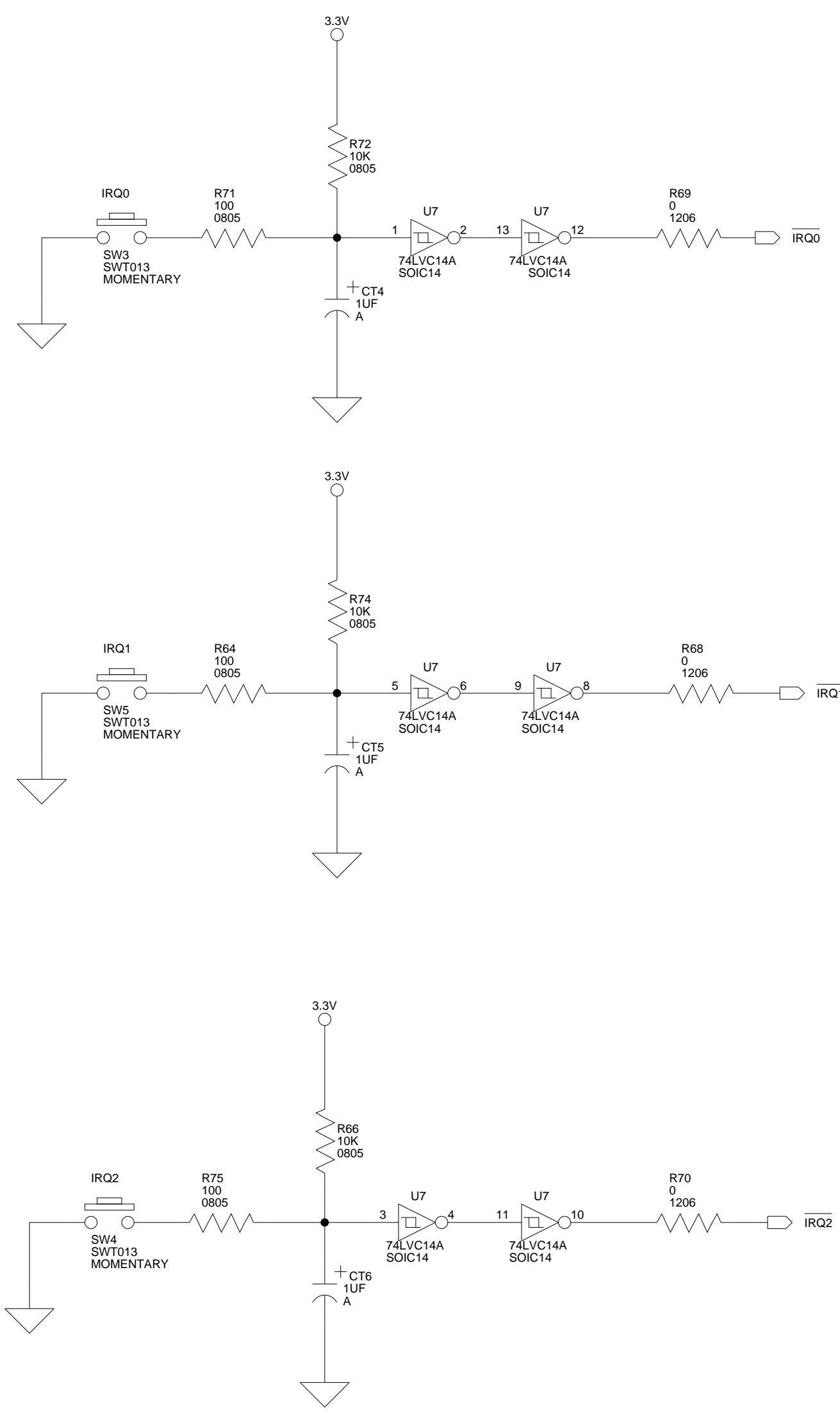
**AUDIO CODEC
AD1881A**

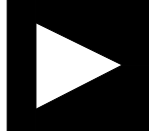


**ANALOG
DEVICES**

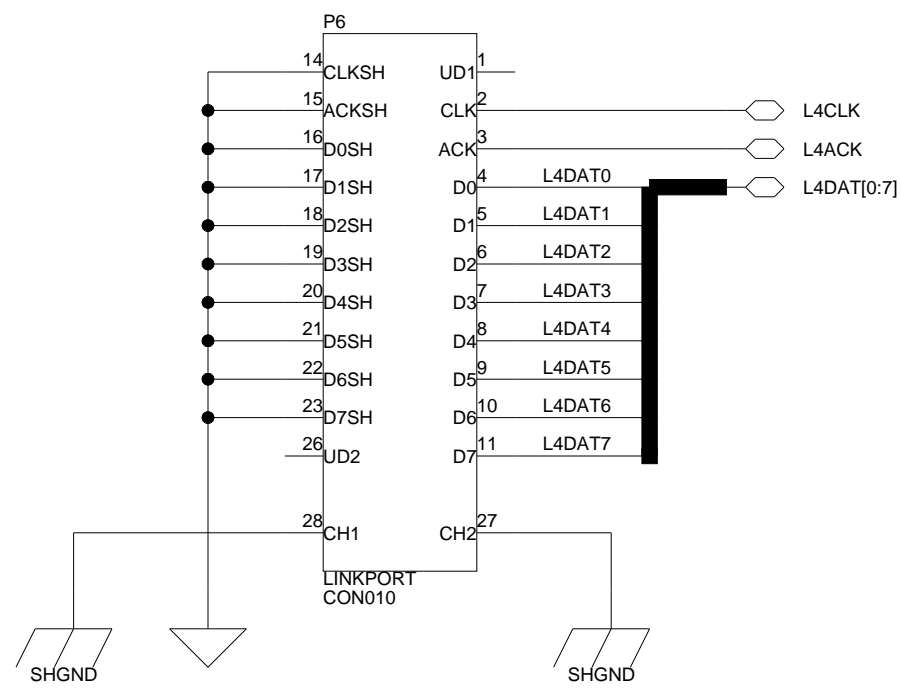
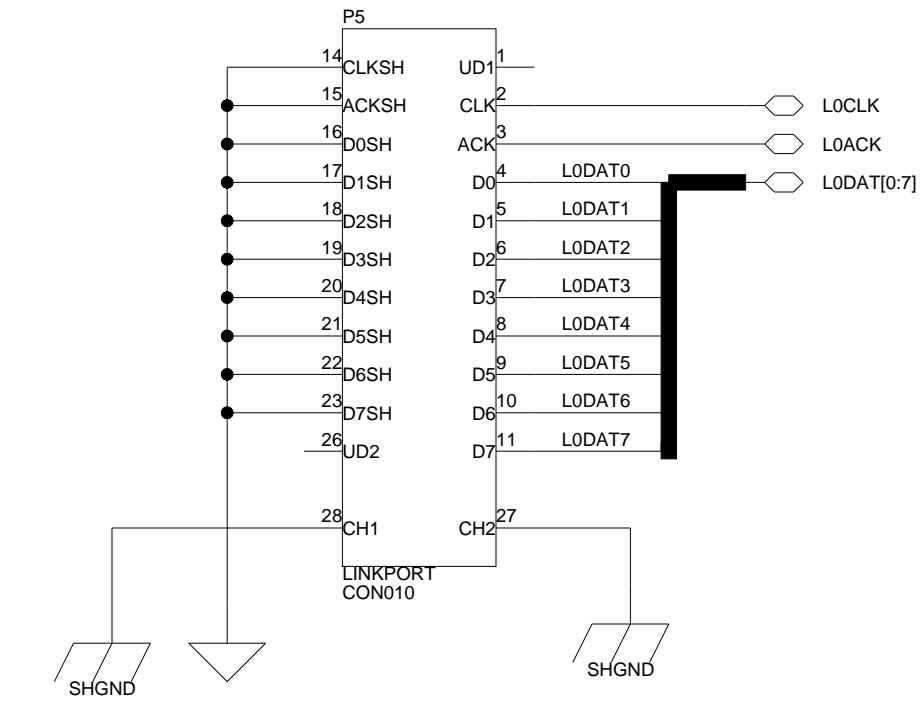
20 Cotton Road
Nashua, NH 03063
PH: 1-800-ANALOGD

Title			ADSP-21160 EZ-KIT LITE AUDIO CODEC		
Size C	Board No.	A0164-2001			Rev 2.0
Date	8-24-2006_9:22	Sheet	4	of	8

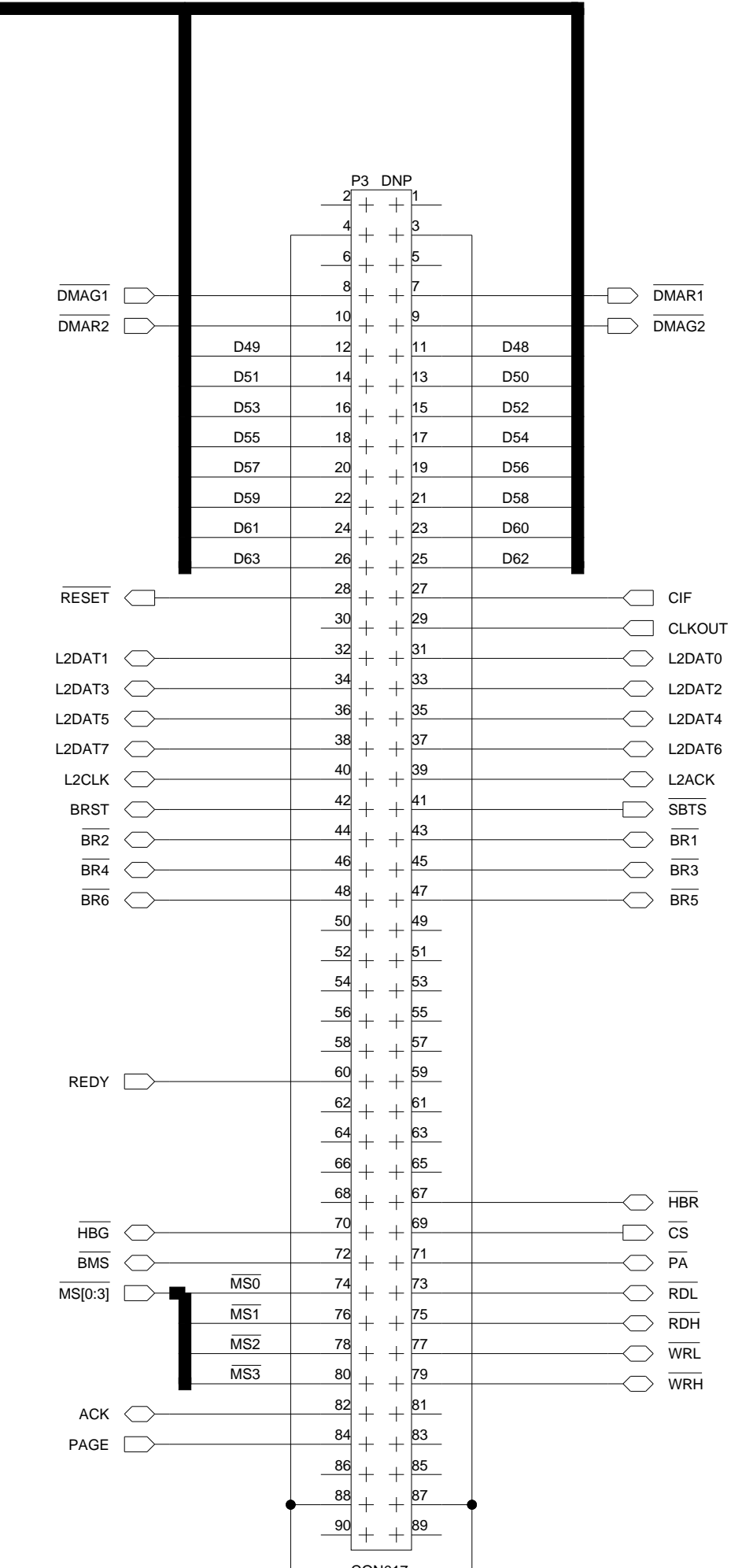
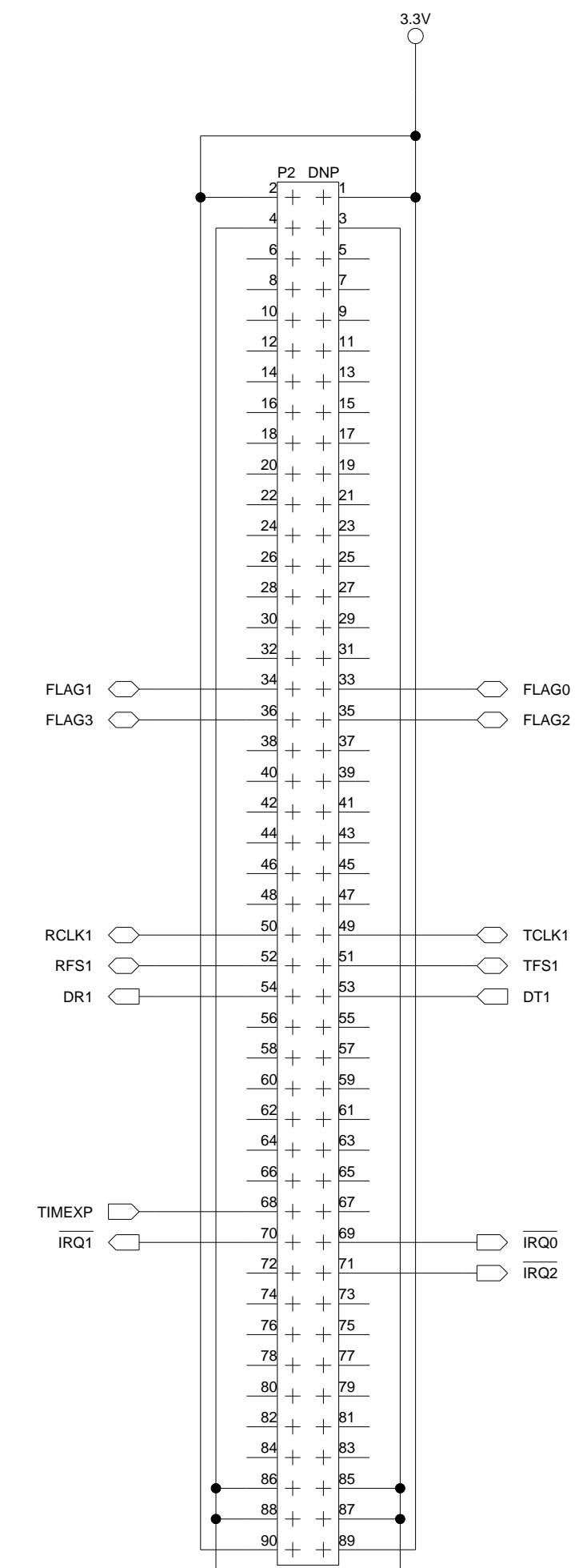
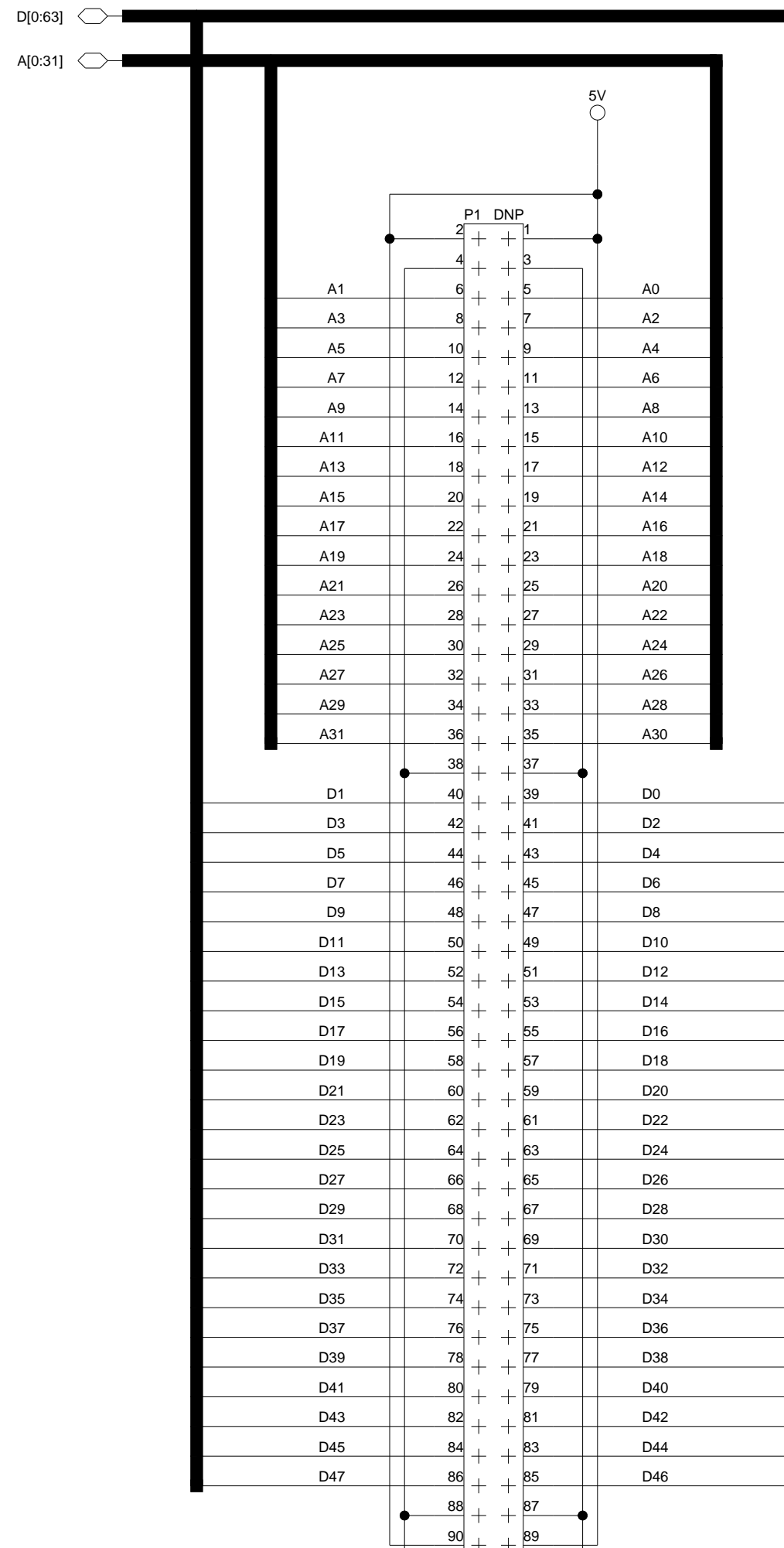
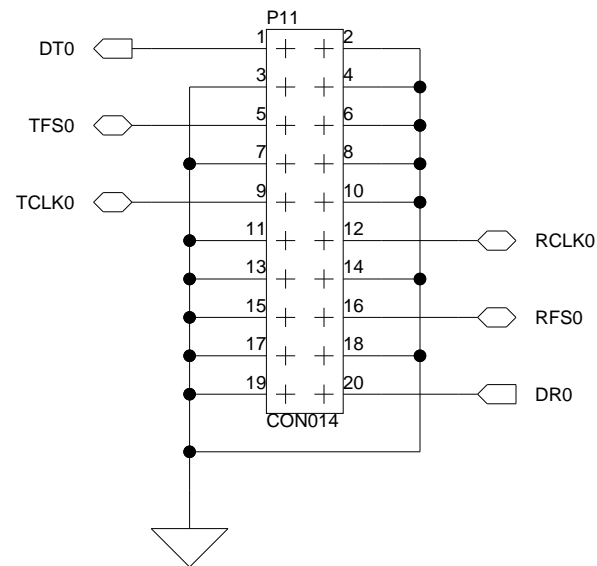


 ANALOG DEVICES		20 Cotton Road Nashua, NH 03063 PH: 1-800-ANALOGD	
		Title ADSP-21160 EZ-KIT LITE PB/LED	
Size C	Board No. A0164-2001	Rev 2.0	
Date 8-16-2006_15:00	Sheet 5 of 8		

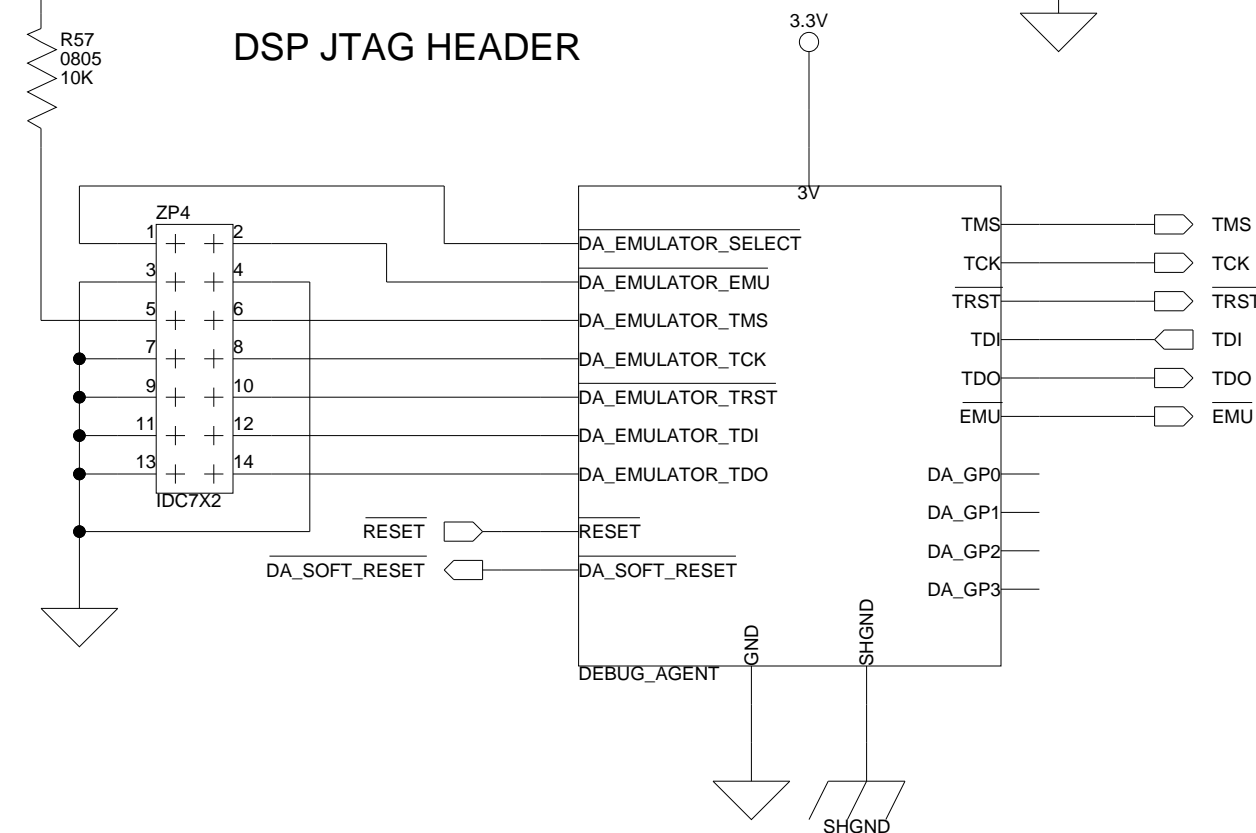
LINK PORT CONNECTORS



SPORT0



DSP JTAG HEADER



All USB interface circuitry is considered proprietary and has been omitted from this schematic.

When designing your JTAG interface please refer to the Engineer to Engineer Note EE-68 which can be found at <http://www.analog.com>

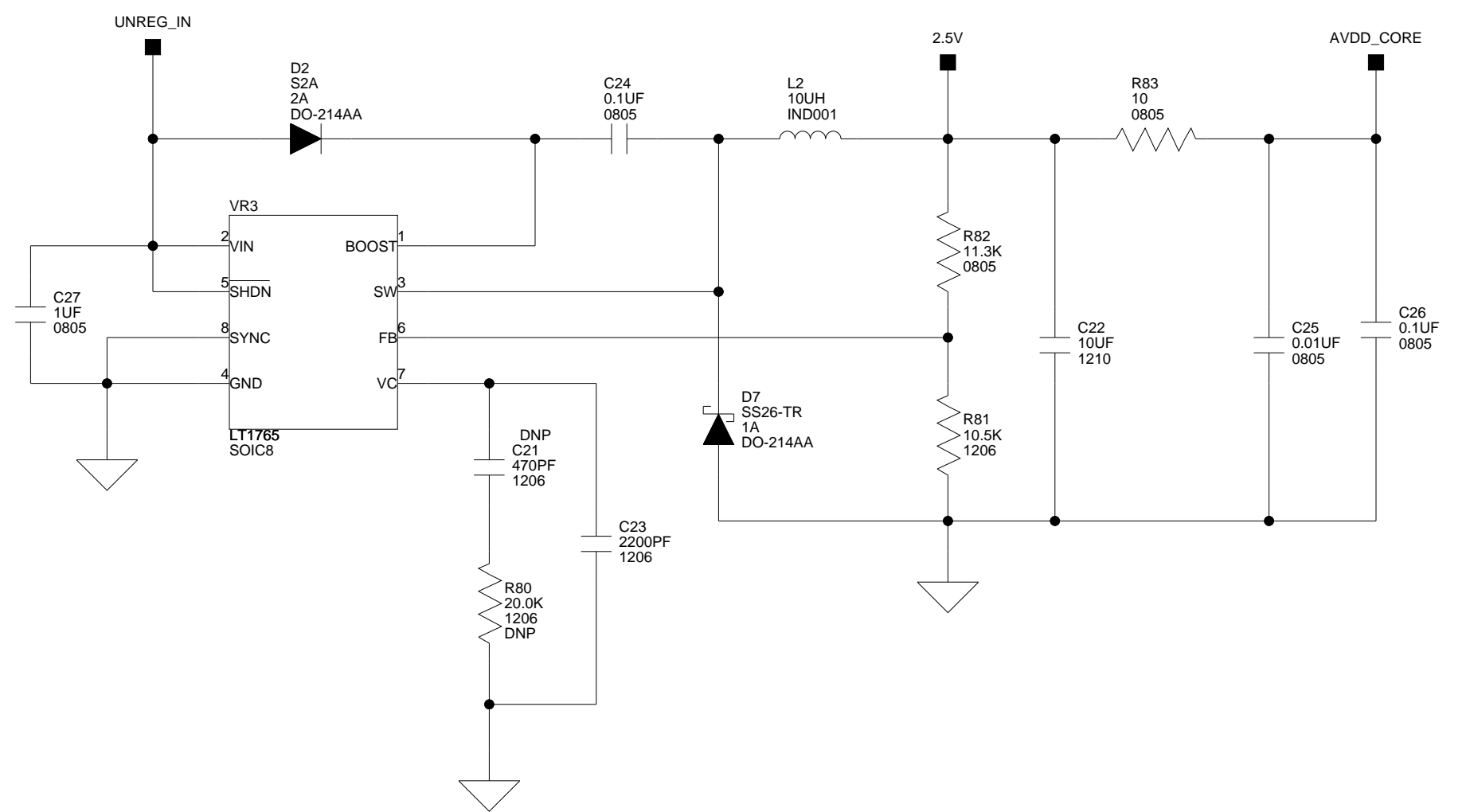
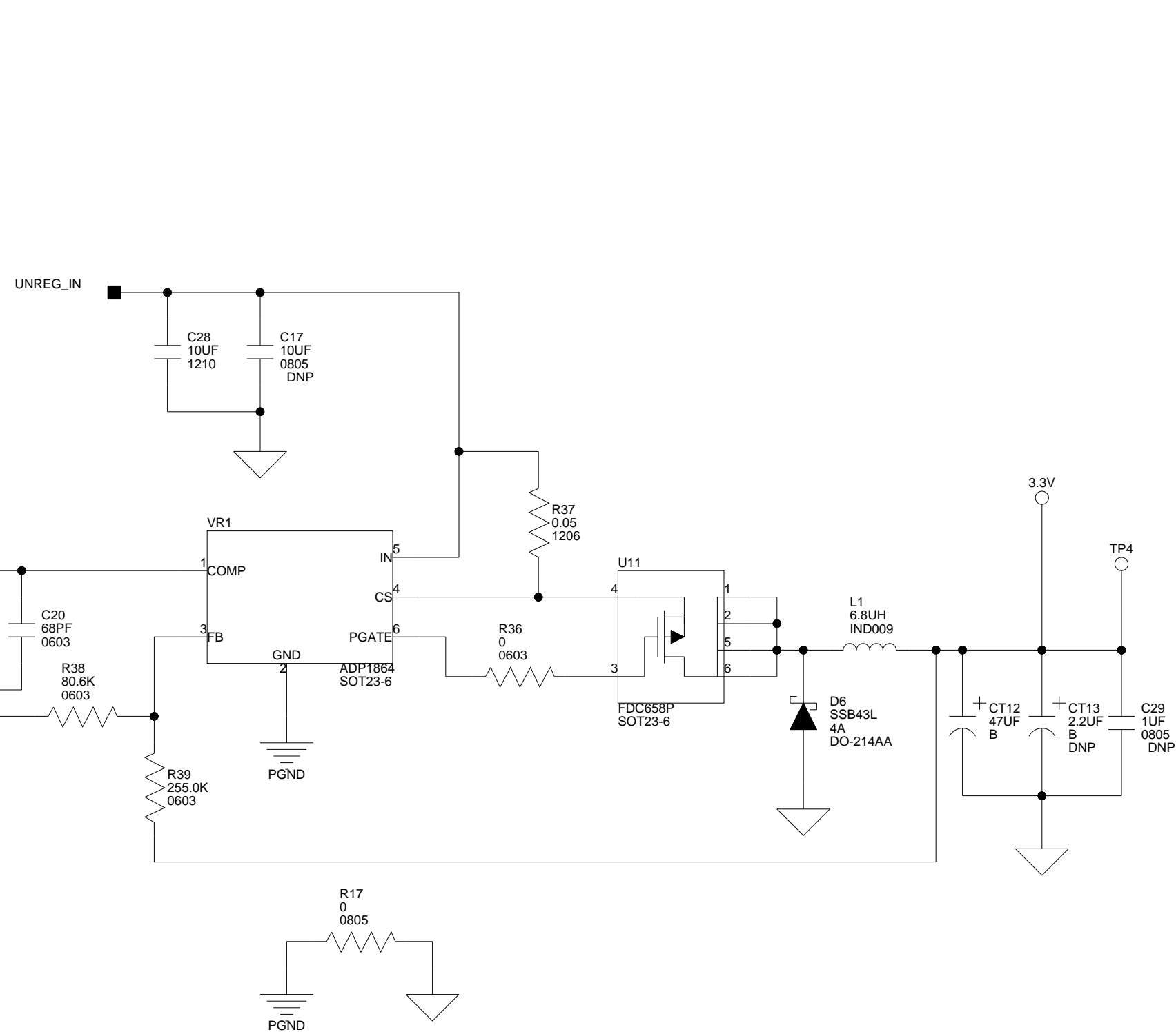
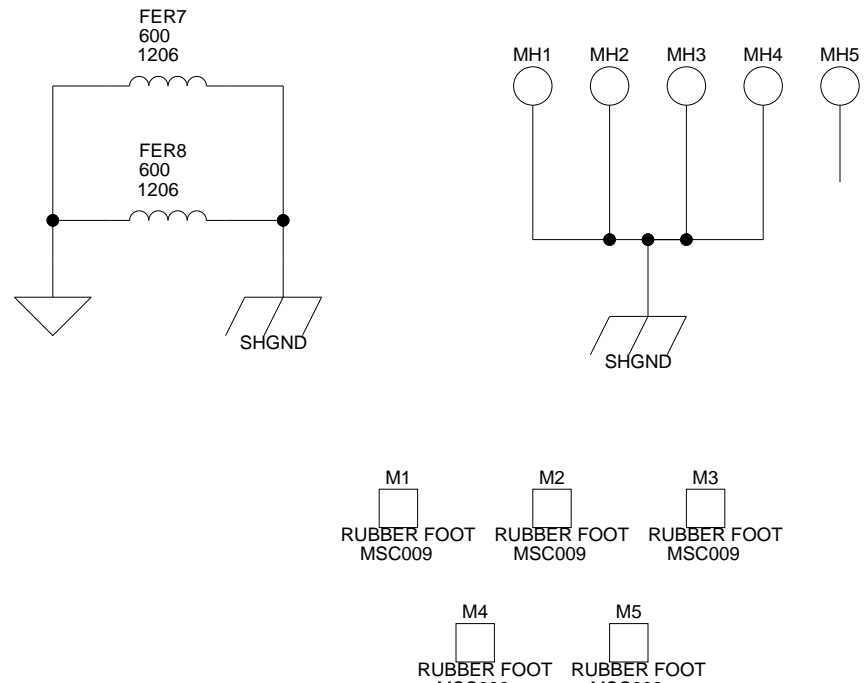
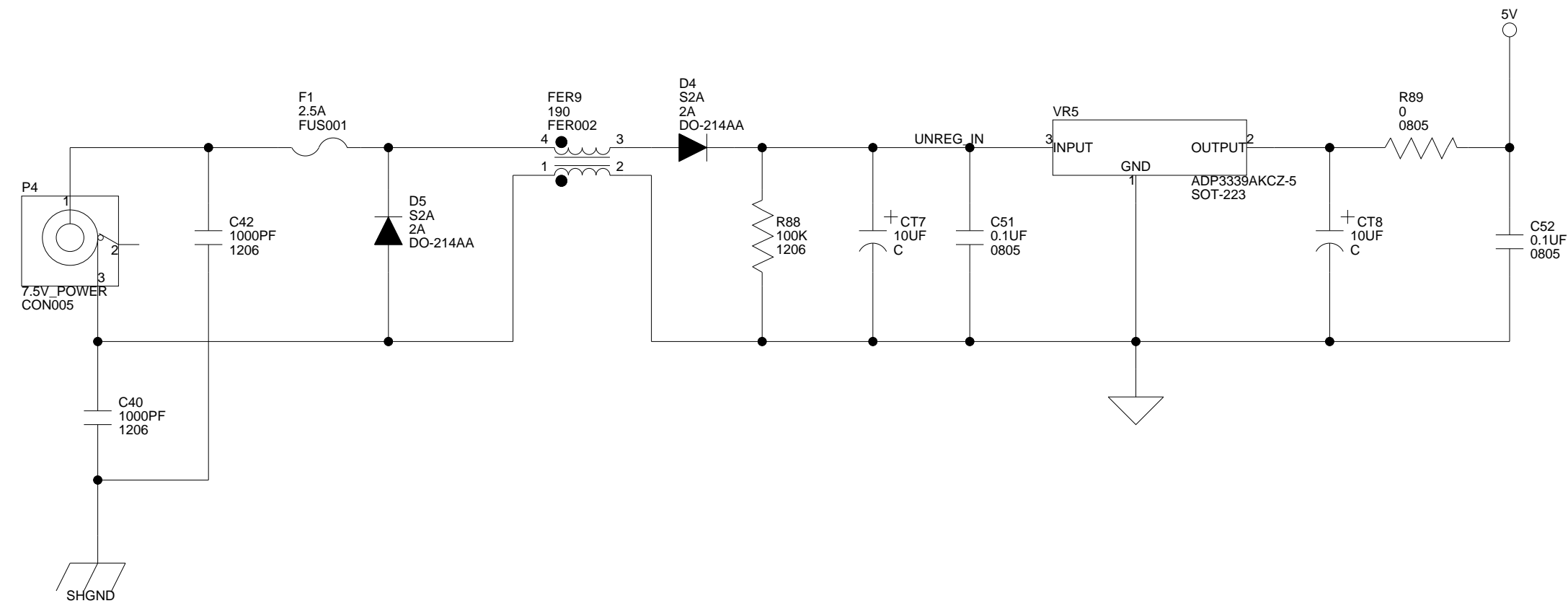
		20 Cotton Road Nashua, NH 03063 PH: 1-800-ANALOGD	
		Title ADSP-21160 EZ-KIT LITE CONNECTORS	
Size C	Board No. A0164-2001	Rev 2.0	
Date 8-16-2006_15:00	Sheet 6 of 8		

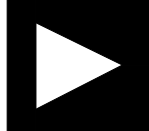
A

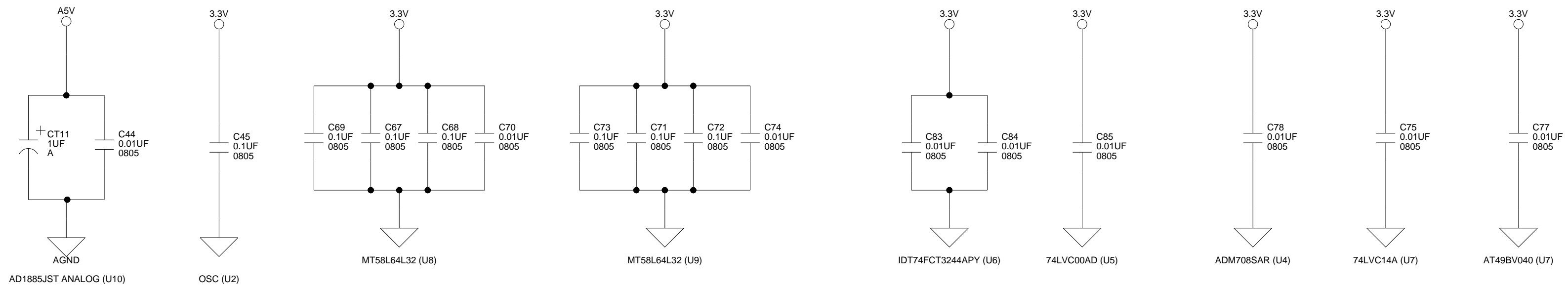
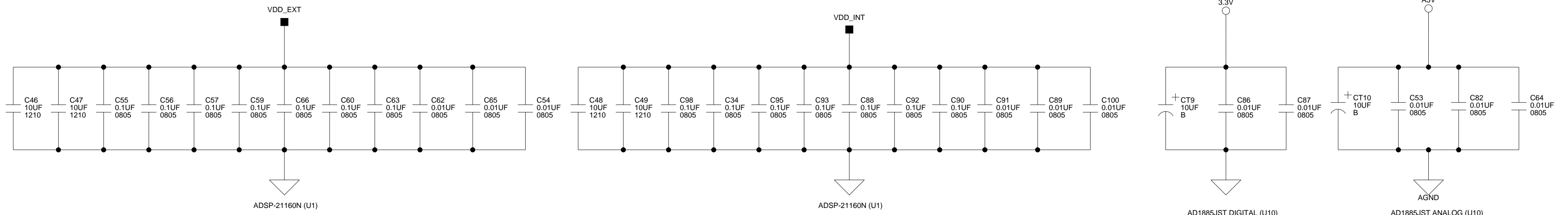
B

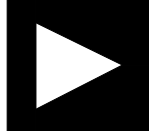
C

D



 ANALOG DEVICES		20 Cotton Road Nashua, NH 03063 PH: 1-800-ANALOGD	
		Title ADSP-21160 EZ-KIT LITE POWER	
Size C	Board No. A0164-2001	Rev 2.0	
Date 8-16-2006_15:00	Sheet 7 of 8		



 ANALOG DEVICES		20 Cotton Road Nashua, NH 03063 PH: 1-800-ANALOGD	
		Title ADSP-21160 EZ-KIT LITE BYPASS CAPS	
Size C	Board No. A0164-2001	Rev 2.0	
Date 8-24-2006_9:42	Sheet 8 of 8		